

etón[®]

ego 4000 CD/MP3/FM AlarmClock Radio

OPERATION MANUAL



HOW TO USE YOUR

etón®

ego 4000

CD/MP3/FM AlarmClock Radio

Patent Pending

DO YOU NEED HELP? We've tried to make these instructions easy to follow. Please read them carefully.

If you need help call us toll free:

Monday-Friday, 8:30 a.m. - 4:00 p.m., Pacific Standard Time.

1-800-872-2228 from the U.S.

1-800-637-1648 from Canada

1-650-361-1611 from anywhere

TABLE OF CONTENTS

Thank you for purchasing the *etón* ego 4000 CD/MP3/FM Alarm Clock Radio. This booklet provides a quick reference to using your new ego 4000 CD Player. It covers the basic features and includes helpful tips and options for setting up the unit.

| | |
|--|-------------|
| IMPORTANT SAFETY INSTRUCTIONS | Page # 4 |
| FEATURES | 6 |
| INTRODUCTION | 7 |
| Location of controls | 4 |
| LCD Display | 4 |
| INSTALLATION AND CONNECTIONS | |
| About speakers..... | 11 |
| Connect headphones | 11 |
| POWERING THE UNIT | |
| Using batteries | 12 |
| Using AC/DC adapter | 12 |
| OPERATION INSTRUCTIONS | |
| CD/MP3 | |
| Loading disc | 13 |
| Start play | 13 |
| About anti-shock | 13 |
| Adjust volume | 14 |
| About EO | 14 |
| Pause | 14 |
| Stop | 14 |
| Audible search | 15 |
| Skip search..... | 15 |
| Repeat play..... | 15 |
| Intro scan..... | 16 |
| Random play | 16 |
| Programmed play | 16 |
| TUNER | |
| Listening to the Radio | 17 |
| Set radio memory | 17 |
| CLOCK | |
| Local time | 18 |
| World time | 18 |
| Alarm | 18 |
| OTHERS | |
| Light | 21 |
| Sleep | 21 |
| E-Bass | 21 |
| TROUBLE SHOOTING | 21 |
| CARE AND MAINTENANCE | 22 |
| CD/MP3 disc care tips..... | 22 |
| SPECIFICATIONS | 23 |

For optimum performance and safety, please read this instruction manual thoroughly before operating and retain it for further reference.

IMPORTANT SAFETY INSTRUCTIONS

1. Read all the safety and operating instructions before operating the product.
2. Retain the safety and operating instructions for future reference.
3. Follow all warnings on the appliance and in the operating instructions.
4. Follow all operating and use instructions.
5. Do not use this appliance near water.
6. Clean only with dry cloth.
7. Do not block any ventilation opening. Operate the unit in accordance with the manufacturer's instructions.
8. Do not use near any heat sources such as radiators, heaters, stoves, or other appliances (including amplifiers) that produce heat.
9. Do not defeat the safety purpose of the polarized or grounding-type plug. A polarized type plug has two blades with one wider than the other. A grounding type plug has two blades and a third grounding prong. The wide blade or the third prong is provided for your safety. If the provided plug does not fit into your outlet, consult an electrician for replacement of the obsolete outlet.
10. Protect the power cord particularly at plugs and the point where they exit from the unit.
11. Unplug unit during lightning storms or when not in use for long periods of time.
12. Refer to qualified service personnel for service on unit. Service is required when unit has been damaged in any way, such as power-supply cord or plug is damaged, liquid has been spilled or objects have fallen into the apparatus, the apparatus has been exposed to rain or moisture, does not operate normally, or has been dropped.
13. Unit should not be exposed to dripping or splashing water and no object filled with water (such as vases) should be place on unit.

This folding travel CD/MP3 player with tuner and clock have the following main features:

CD/MP3:

Super Anti-Shock System – rapidly save 40 seconds of CD data or 120 seconds MP3 data in memory for uninterrupted play even when the player is exposed to shocks or vibration.

Programmable Play – lets you program and play up to 100 tracks in any sequence you choose.

Repeat Play – lets you automatically repeat a single track, a directory (MP3), or an entire disc.

Intro Scan – helps you locate a desired track by automatically playing the first 10 seconds of each track.

Random Play – lets you play the tracks on a CD or MP3 in random.

EQ – lets you choose: BASS, POP, CLASSIC, JAZZ, ROCK or NORMAL effect.

Skip Search – lets you quickly locate and play any track on a CD or MP3 disc.

Audible Search – helps you locate a particular section of a track by rapidly playing.

Pause and Cue – lets you temporarily stop play or cue a track for play at a later time.

Auto Shut Off – automatically turns off the player to help reserve battery power.

3-Inch Disc Compatible – lets you play 3-inch CD or MP3 disc.

TUNER:

FM Radio with 12-Station Memory – lets you store up to 12 FM radio stations in memory so you can quickly tune to a stored station.

Automatic Tuning – searches forward or backward to the next strong station in the selected band so you can quickly find new stations.

Last Station Memory – tuner begins at the last station before tuner was turned off.

Stereo/Mono Switch – lets you select mono or stereo mode when listening in the FM band.

CLOCK:

2-Time Setting – lets you set two kinds of time - local time and a world time.

2-Alarm Setting – lets you set two alarms, Alarm 1 and Alarm 2. Both can be set as a Buzzer, Radio Alarm or CD/MP3 Alarm.

Snooze – lets you snooze 5 minutes.

15/30/60-Minute Sleep Setting – three kinds of sleep setting available.

GENERAL

E-Bass – creates a fuller bass sound.

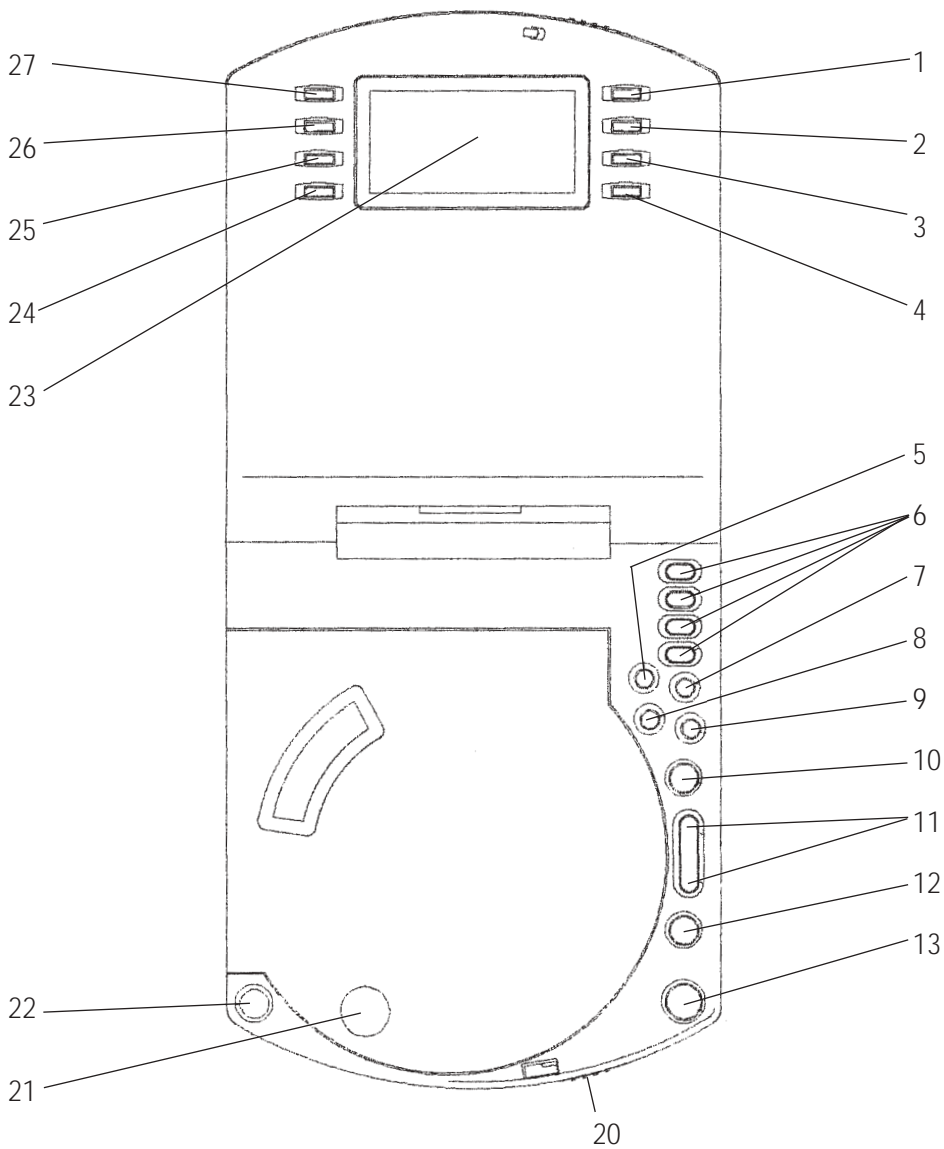
Big LCD Display – lets you view the system status and clock.

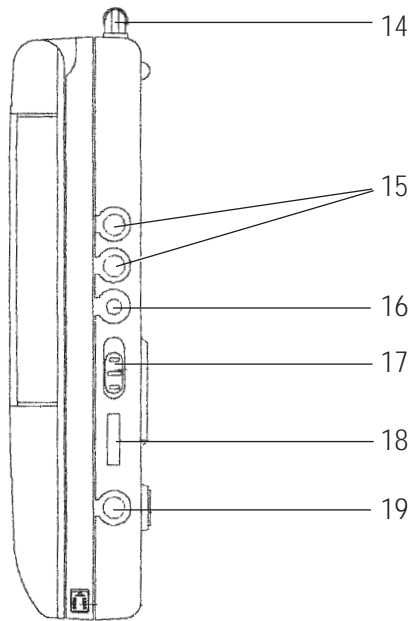
Light – lets you view clock in the dark.

Stereo Detachable Speakers – gives you high quality sound effect.

Two Power Sources – lets you power the unit with four standard AA batteries or a DC 7.5V 800mA AC/DC adapter.

Location Of Controls

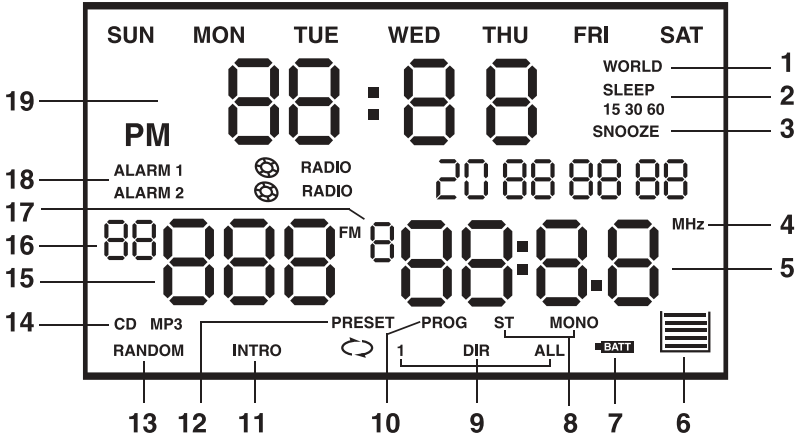




1. **World/Local** – Press to set a world time or to see the preset world time.
2. **Set** – Press to set world/local time, or to set alarm.
- 3-4. **Up/Down** – Press to select desired time, date or alarm mode while setting time or alarm.
5. **SAS/+10/St/Mono** – While playing CD, press this button to set anti-shock system on or off; while playing MP3, press this button to skip 10 tracks each time; while listening to stereo FM radio program, press this button to turn stereo broadcasting into mono or vice versa.
6. **Preset 1/2/3/4** – Press to set radio memory, or to call out the preset channel for listening.
7. **EQ/Prog** – While playing CD/MP3, press this button to select EQ: Bass, Pop, Classic, Jazz, Rock or Normal; while CD/MP3 stops, press this button to program CD/MP3 playing sequence. In Tuner mode, press this button to tune upward for radio station automatically.
- 8 **Tuner** – Press to switch to Tuner mode and/or to select different FM band: FM-1, FM-2 or FM-3.

9. **Mode/Dir** - While playing CD, press this button to set repeat play for one track or all tracks; while playing MP3, press briefly to set repeat play for one track, one directory or all tracks, press and hold this button for about 3 seconds to set directory selection; while CD/MP3 stops, press to set Intro or Random playing. In Tuner mode, press this button to tune downward for radio station automatically.
10. **Play/Pause** ("▶/||" is named hereafter) – Press to start CD or MP3 playing or to pause.
11. **Scan Up/Down** ("▶▶I/I◀◀" is named hereafter) – Press to search CD/MP3 track, directory or radio station.
12. **Stop** ("■" is named hereafter) – Press to stop CD or MP3 playing, or to power off.
13. **Snooze/Light** – When alarm comes on, press this button to snooze for 5 seconds. For the **Light**, press to light on the LCD display for a few seconds.
14. **FM Rod Antenna** – For better FM reception, pull out the antenna to its full length.
15. **Speaker Jacks** – Connect speaker wires here.
16. **DC Jack** – Connect AC/DC adapter.
17. **Bass Boost On/Off** – Turn on or off bass boost system.
18. **Volume** – Rotate to adjust volume.
19. **Headphone Jack** – Connect headphones here.
20. **Lid Lock and Release** – To open slide the lid lock button to the right.
21. **Close** – Press here to close CD/MP3 cover panel.
22. **Open** – Press to open CD/MP3 cover panel to load CD or MP3 disc.
23. **LCD display** – Shows clock and working status.
24. **Alarm On/Off** – Press to turn on or off one or all the preset alarms.
25. **Alarm 1/Alarm2** – Press to set Alarm 1 or Alarm 2, or to view preset Alarm 1 or Alarm 2.
26. **Alarm Mode** – Press to set alarm mode.
27. **Sleep** – Press to set sleep time: 15 minutes, 30 minutes or 60 minutes.

LCD Display



1. **WORLD time indicator** - Indicates while setting or checking world time.
2. **SLEEP indicator** - Indicates when one of the three sleep-settings is selected, **SLEEP** and corresponding sleep time indicator light on.
3. **SNOOZE indicator** - Indicates when it is in snooze status.
4. **FM Frequency unit indicator** – Indicates tuner mode.
5. **CD/MP3 elapsed time or radio frequency indicators** - Show elapsed time and frequency.
6. **Anti-shock indicator** – Indicates when anti-shock system is on.
7. **Battery indicator** - Shows when batteries are lower than 4.2V.
8. **ST/MONO indicator** - Indicates when corresponding stereo or mono broadcasting is selected.
9. **Repeat Setting indicator** – Corresponding indicator shows when one track repeat, one directory repeat or all tracks repeat is initiated.
10. **PROG indicator** – Indicates while programming CD/MP3 playing sequence or playing the programmed tracks.
11. **INTRO indicator** – Indicates when Intro play is initiated.
12. **PRESET indicator** – Indicates while listening to preset radio stations.
13. **RANDOM indicator** – Indicates when Random play is initiated.
14. **CD/MP3 indicator** – Indicates when corresponding disc is loaded.
15. **CD or MP3 track number indicator.**
16. **MP3 directory indicator.**
17. **FM band indicator.**
18. **Alarm Mode indicator** – When Buzzer, CD/MP3 Alarm or Radio Alarm is selected, the corresponding indicator will show.
19. **Date/Clock indicators** - shows date (year, month, day) and time.

(For details of the indicators mentioned above, please refer to the instructions below.)


ABOUT SPEAKERS

The two supplied speakers are removable/detachable. You may take them out and place them where you like by using supplied connection wires.

Follow steps below to install the two removable speakers elsewhere:

1. Horizontally pull out the speakers.
2. Using the supplied connection wire, connect one plug to the jack on the speaker, the other to the **SPEAKER L** or **R** jack on the right side of the unit.
3. Place the speakers to where you like as long as the length of connection wire permits.

CONNECT HEADPHONES

For private listening, you can plug a pair of stereo earphones or headphones with a 3.5mm plug into the “ (headphone)” jack on the right side of the player.

Listen Safety

To protect your hearing, follow these guidelines when you use earphones or headphones:

- Set the volume to the lowest setting before you begin listening. After you begin listening, adjust the volume to a comfortable level.
- Do not listen at extremely high volume levels. Extended high-volume listening can lead to permanent hearing loss.
- Once you set the volume, do not increase it. Over time, your ears adapt to the volume level, so a volume level that does not cause discomfort might still damage your hearing.

Traffic Safety

Do not wear earphones or headphones while operating a motor vehicle or riding a bicycle. This can create a traffic hazard and could be illegal in some areas. Even though some earphones and headphones let you hear some outside sounds when listening at normal volume levels, they can still present a traffic hazard.

You can power the unit from any of these power supplies:

- Four AA alkaline batteries.
- Standard AC power using a DC 7.5V, 800mA AC/DC adapter.

Note: The batteries are disconnected automatically when an AC/DC adapter is connected to the unit.

USING BATTERIES

Caution:

- Always use fresh batteries of the required size.
- Do not mix old and new batteries, different types or brands of batteries or rechargeable batteries of different capacities.

Follow these steps to install batteries:

1. Press down and slide open battery door in the direction of the arrow and lift it up.
2. Place four AA batteries into the compartment as indicated by the polarity symbols (+ and -) marked inside.
3. Close the battery door.

Cautions: 1) When "■■■■" flashes on the display, sound distorts or volume weakens, replace the batteries.

Note: When batteries are taken out, the clock will be kept for about 3 minutes. Please replace batteries quickly to prevent clock setting being cleared.

- 2) If you do not plan to use the unit with batteries for a month or more, or if you plan to use only AC/DC adapter, remove the batteries. Batteries can leak chemicals that may destroy electronic parts.
- 3) Dispose of old batteries promptly and properly. Do not burn or bury them.

USING AC POWER

You can power the unit from a standard AC outlet by using a DC 7.5V 800mA AC/DC adapter.

Note: Once an AC/DC adapter is connected to the unit, the batteries pre-installed will be disconnected automatically.

Follow these steps to connect an AC/DC adapter to the CD player:

Insert the AC/DC adapter's plug into the unit's **DC IN 7.5V** jack.

Plug the other end of the adapter into a standard AC outlet.

Caution: When you finish using the AC/DC adapter, disconnect it from the AC outlet first, then unplug it from the unit.

CD/MP3 DIRECTIONS

LOADING A CD or MP3 DISC

1. To open the unit slide the lid lock button, on the front of the unit, to the right.
2. Press **Open** button to lift up disc cover.
3. Hold the disc by its edges and carefully place it into CD/MP3 compartment with label-side face upward, pressing it onto the spindle.
4. Close the disc cover by pressing the **Close** position on disc cover.

TO START PLAY OF A CD or MP3 DISC

Press **▶/||** button. The unit will start to read information from the loaded disc. The LCD display shows "rEAd".

- **If a CD is loaded**, it starts to play a few seconds later. The LCD shows the total number of tracks and total playing time briefly before showing the no. 1 track and its elapsed time. The CD indicator and anti-shock indicator are shown on the LCD display also.
- **If a MP3 disc is loaded**, it will take a few more seconds to read disc information. When reading is over, the LCD shows total number of directory and tracks briefly. Then it starts to play the first track of the first directory. The LCD display shows "MP3" and the anti-shock indicator as well as elapsed time.

Note: Whenever one of the control buttons is pressed, the LCD backlight illuminates for about 4 seconds.



ABOUT ANTI-SHOCK SYSTEM

The player contains special circuits to save music in memory and then play from memory. As for CD, the anti-shock is 40 seconds. For MP3, it is 120 seconds.

The anti-shock system will turn on automatically once the CD/MP3 player is turned on by pressing **▶/||** button. The anti-shock icon "□" is shown on the LCD.

If you are listening to a CD, you may press **SAS/+10/St/Mono** button to turn the anti-shock system off. But for MP3, anti-shock cannot be turned off. As the player continuously saves the next 120 seconds of music in memory, the MP3 disc will not rotate when it is playing by memory. Only when it is reading music from the MP3 disc, the disc rotates.

ADJUST VOLUME

Rotate the **Volume** knob to adjust volume to a comfortable listening level.

ABOUT EQ

While playing CD or MP3, you may press **EQ/Prog** button to select desired EQ: BASS, POP, CLASSIC, JAZZ or ROCK. To cancel the EQ, select "NOR (normal)".

Press the **EQ/Prog** button repeatedly, the LCD display shows EQs in sequence as below:



Note: Only CD/MP3 have EQ function.

TO PAUSE

To pause temporarily, press **▶/||** button. The elapsed time indicator flashes on the LCD display.

To resume playing, press **▶/||** button again.

TO STOP

It stops automatically at the end of the last track. To stop playing sooner, press **■** button, about 30 seconds later it is automatically power off. When it stops, if it is CD, the LCD display shows total number of tracks and total playing time; if it is MP3 disc, LCD shows also total number of directories and tracks.

To power off sooner, press **■** button once more.

TO PLAY FAST FORWARD OR BACKWARD

To search forward or backward during play, press and hold down **▶▶** or **◀◀** button. The LCD shows the fast change of elapsed time. When the desired point is reached, release the **▶▶** or **◀◀** buttons to resume normal play.

Note: 1) If it is playing CD, you can hear music at a high speed and low volume while searching.

2) When searched to the end of the last track or the beginning of the first track, it stops automatically.

TO SPECIFY A TRACK FOR PLAY

CD

Press ►►I or I◄◄ button repeatedly until the desired track number is shown on LCD display.

MP3

Way 1: Press ►►I or I◄◄ button repeatedly to choose the one desired.

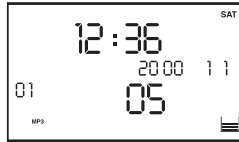
Way 2: While playing, press **SAS/+10/St/Mono** button to skip forward for 10 tracks each time.

Way 3: While stopped, but power is still on, you may

- 1) Press ►►I or I◄◄ button to find out the desired directory.
- 2) Press ►/II button to start play from this directory on.
- 3) Press ►►I or I◄◄ button repeatedly to find out the desired track.

While playing, follow steps below:

- 1) Press and hold the **Mode/Dir** button for about 3 seconds, the LCD shows as below:



- 2) Press ►►I or I◄◄ button to look for the desired directory.
- 3) When the desired directory is shown, press ►/II button to start play for the track(s) in this directory.
- 4) Press ►►I or I◄◄ button repeatedly to find out the desired track.

REPEAT PLAY

One-Track Repeat

During play, press **Mode/Dir** button repeatedly until "↔ 1" indicator appears in the display, the current track will be repeated over and over.

One-Directory Repeat

While playing MP3, you may set the unit to play a certain directory over and over by pressing **Mode/Dir** button repeatedly "↔ DIR" indicator appears steadily in the LCD display.

All-Track Repeat

During play, press **Mode/Dir** button repeatedly until "↔ ALL" is shown in the LCD display, the unit will play tracks repeatedly.

Cancel Repeat Play

Press **Mode/Dir** button until any of the above mentioned repeat indicators disappear.

INTRO SCAN

Sequentially plays the first 10 seconds of each track enabling selection of the desired track.

Please follow steps below to initiate Intro Scan:

- 1) Stop playing by pressing the ■ button (if necessary).
- 2) Repeatedly press **Mode/Dir** button until "INTRO" indicator appears in the LCD display.
- 3) Press ►/|| button. Intro playing starts at once from the first track on.

When the desired track is found, press ►/|| button once more, intro play is cancelled, and it plays the track normally.

RANDOM PLAY

You can have the player play at random by following steps below:

- 1) Stop playing by pressing the ■ button (if necessary).
- 2) Repeatedly press **Mode/Dir** button until "RANDOM" indicator appears on the LCD display.
- 3) Press ►/|| button. Random playing starts at once.

To cancel random play, press the ■ button.

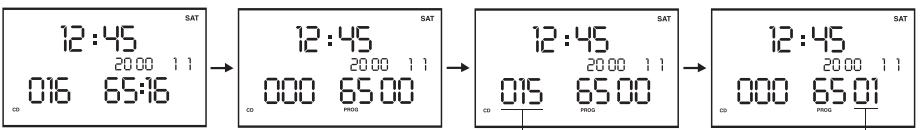
PROGRAMMED PLAY

You can program up to 100 tracks in any order you choose to play, and the same track can be programmed for more than once.

To Program CD or MP3 playing sequence, you must first stop playing by pressing ■ button, then follow steps below to complete programming.

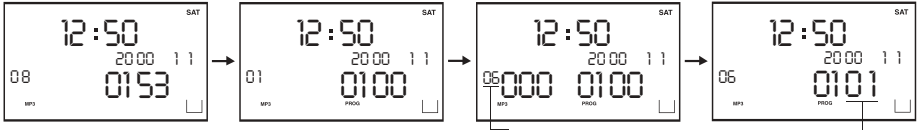
CD

1. Press **EQ/Prog** button, "PROG" indicator is shown on LCD display.
2. Press ►►| or |◀◀ button repeatedly to find out the track to be programmed.
3. Press **EQ/Prog** button again to save.



MP3:

1. Press **EQ/Prog** button, the LCD shows "PROG".
2. Press **▶▶I** or **I◀◀** button to select desired directory.
3. Press **EQ/Prog** button again to save the selection.
4. Press **▶▶I** or **I◀◀** button again to select desired track.
5. Press **EQ/Prog** button once more to save the selected track.



Repeat steps above to program other tracks. Up to 100 tracks can be programmed.

To play the programmed sequence, press the **▶/II** button.

While playing, you can press **▶▶I** or **I◀◀** button to skip backward, and you can also set repeatedly play for one or all the programmed tracks by pressing **Mode/Dir** button.

After the last programmed track is played over, it stops automatically. To stop it sooner, press the **■** button.

To clear the programmed content, you may

- 1) Press the **■** button twice while it is playing the programmed tracks. Or
- 2) Open to disc cover by pressing **Open** button.

TUNER DIRECTIONS

LISTENING TO THE RADIO

1. Press **Tuner** button to turn on the tuner.
- Note:** Whenever the tuner is turned on, it always begins at the last station listened to.
2. Press **Tuner** button repeatedly to select desired FM band: FM1, FM2 or FM3.
3. Use one of these methods to tune for the desired station. The display shows the tuned frequency.

Memory Tuning: Press one of the four memory buttons (**Preset 1** through **4**).

When one of the preset stations is selected, the LCD shows "PRESET" and channel number.

(For example, the 1st preset station FM 97.1 MHz at FM1 is selected)



Manual Tuning: Repeatedly press **▶▶I** or **I◀◀** button to tune for preferred radio station. Press and hold down **▶▶I** or **I◀◀** button to tune fast forward or backward.

Automatic Tuning: Press **EQ/Prog** or **Mode/Dir** button to search upward or downward automatically. Once a radio station with strong signal is received. It stops.

Notes:

- For better FM reception, pull out the FM rod antenna to its full length.
- While listening to stereo FM broadcasting, if the signal is strong enough, “ST” indicator will appear on the LCD display. If reception is poor or noisy, you may press **SAS/+10/St/Mono** button to turn it to mono broadcasting. When mono is selected, reception will be better, and “MONO” appears on LCD display.
- 4. Press **Volume (-/+)** buttons to adjust volume to a comfortable listening level.
- 5. Press **■** button to turn off the radio.

STORING RADIO STATIONS IN MEMORY

You can store up to 12 FM stations in memory: 4 each in FM1, FM2 and FM3.

Follow the steps below to set radio memory:

1. Press **Tuner** button repeatedly to turn on the radio and select the band.
2. Press **▶▶|** or **|◀◀** button or **EQ/Prog** and **Mode/Dir** button to tune the desired station.
3. Press and hold one of the memory buttons (**Preset 1** through **4**) for about 3 seconds. The PRESET icon will be shown on LCD briefly.

Repeat steps 1 to 3 to set other radio station memories.

CLOCK

SET LOCAL TIME

Once the power supply is connected, the LCD shows “SAT 12:00 2000 1 1” :

Following the steps below to set local time and date:

1. Press **Set** button. The hour indicator flashes.
2. Press **Up** or **Down** button to select correct hour number.
- Note:** If it was after noon, PM indicator would be shown on LCD.
3. Press **Set** button again to save. Minute indicator starts flashing at the same time.
4. Press **Up** or **Down** button to select correct minute number.
5. Press **Set** button again to save. Year indicator flashes.
6. Press **Up** or **Down** button to select correct year number.
7. Press **Set** button again to save. The month indicator flashes.
8. Press **Up** or **Down** button to select correct month number.
9. Press **Set** button again to save. The day number indicator flashes.
10. Press **Up** or **Down** button to select correct date number.
11. Press **Set** button again to save. The week indicator illuminates. The time/date setting is complete.



SET WORLD TIME

- To set world time, press **World/Local** button first, then follow steps 1 to 11 above in the “LOCAL TIME” section to set world time.
- To view world time, press **World/Local** button, world time will be shown for about 4 seconds.

ALARM

Set Alarm TIME

Follow the steps below to set alarm time and mode:


1. Press **Alarm 1/Alarm 2** button repeatedly to select Alarm 1 or Alarm 2.
2. Press **Set** button, the hour indicator flashes.
3. Press **Up** or **Down** button to select desired hour number.
4. Press **Set** button again to save. The minute indicator starts flashing.
5. Press **Up** or **Down** button to select desired hour number.
6. Press **Set** button again to save. Alarm time is set.

When alarm is set, the LCD display shows the setting for about ten seconds, then resume to local time display.

Set Alarm Mode

The default alarm mode is buzzer. The LCD shows “ALARM X (1 or 2)”. You can change it to CD/MP3 alarm or radio alarm as well.

Please follow steps below to change alarm mode:

1. Press **Alarm 1/Alarm 2** button to select the alarm to be changed.
2. Press **Alarm Mode** button to enter alarm-mode-setting status.
3. Press **Up** or **Down** button to select the desired alarm mode: Buzzer, CD or Radio.
 - If Buzzer is selected, the “ALARM 1” or “ALARM 2” indicator will show.
 - If CD/MP3 Alarm mode is selected, the “” indicator will show.
 - If Radio Alarm mode is selected, the “RADIO” indicator will show.

When the desired Alarm mode indicator is shown, stop pressing **Up** or **Down** button and wait for a few seconds. The Alarm mode is set.





View Alarm Setting

- Press **Alarm 1/Alarm 2** button once, the LCD display shows Alarm 1 setting (includes alarm time and mode) for about 10 seconds, then it will revert back to local time and display.
- Press **Alarm 1/Alarm 2** button twice, the LCD display shows Alarm 2 setting for about 10 seconds.
- Press **Alarm 1/Alarm 2** button repeatedly, the LCD display shows Alarm 1 and Alarm 2 setting in circle.

Turn on the Preset Alarm(s)


Important: Please ensure it is at local time display status first before proceeding with this operation. Generally, it takes 10 seconds to resume local time display after setting clock/alarm or viewing alarm setting.

- Press **Alarm on/off** button once, the preset Alarm 1 is turned on. If it is the Buzzer alarm, "ALARM 1" indicator shows; if it is CD/MP3 alarm, "  " indicator shows; if it is the Tuner alarm, "RADIO" indicator shows.
- Press **Alarm on/off** button twice, the preset Alarm 2 is turned on. The corresponding alarm indicator shows.
- Press **Alarm on/off** button three time continuously, both the Alarm 1 and Alarm 2 are turned on. The LCD display shows the alarm mode of Alarm 1 and Alarm 2 simultaneously.

When it is time to alarm, if it is Buzzer, the alarm sound can be heard; if it is CD/MP3 or Radio alarm, it will start to play the CD/MP3 or radio automatically. The volume is at its pre-listening level. Five minutes later the alarm (either Buzzer or CD/Radio) stops automatically. If you want to cut off the alarm before it stops automatically, press **Alarm on/off** button (for Buzzer) or  button (for CD/MP3 or Radio alarm).

While alarm is on, you may press **Snooze/Light** button to snooze for 5 minutes. At Snooze mode, "SNOOZE" indicator appears on the LCD display. Snooze can be repeated several times.

Turn off the Preset Alarm

When it is at local time display status, you can turn off one or all preset alarms by pressing **Alarm on/off** button repeatedly. When the alarm is turned off, the alarm indicators ("ALARM 1", "ALARM 2", "  " and/or "RADIO") disappear.

OTHER FEATURES DIRECTIONS

LIGHT

Pressing the **Snooze/Light** button will cause the LCD backlight to illuminate for about 4 seconds.

SLEEP

There are three sleep time mode intervals: 15 minutes, 30 minutes and 60 minutes.

When it is at local time display status, press **Sleep** button repeatedly to select the desired sleep mode. The corresponding sleep indicator shows when it is selected.

To cancel sleep setting, press **Sleep** button repeatedly until the "SLEEP" indicator disappears.

E-BASS

To get the bass enhanced, slide the **E-bass** button to its "ON" position.

To cancel bass-boost function, slide the **E-bass** button to its "OFF" position.

TROUBLESHOOTING

With proper care and handling, the player should give you years of trouble-free service. However, if it is not working properly, follow these suggestions to see if you can eliminate the problem. If you still have a problem, contact the Customer Service Center for assistance.

| Problem | Possible Cause | Suggestion |
|---|--|--|
| CD/MP3 will not play | <ol style="list-style-type: none"> 1. Disc is not facing upward. 2. Dirty or defective disc. 3. Weak batteries. 4. AC/DC adapter isn't well connected. | <ol style="list-style-type: none"> 1. Reinstall the disc with its printing side face upward. 2. Clean or replace the CD or MP3 disc. 3. Change new batteries. 4. Connect the adapter properly. |
| No Sound or intermittent sound | <ol style="list-style-type: none"> 1. The speaker or headphones' plug is not well connected. 2. The CD/MP3 player is subjected to excessive vibration or shock. | <ol style="list-style-type: none"> 1. Re-plug in connection wire properly. 2. Place it on a stable surface. |
| Noisy or distorted radio reception | <ol style="list-style-type: none"> 1. Station not tuned properly. 2. Antenna needs adjustment. | <ol style="list-style-type: none"> 1. Retune the station. 2. Adjust the FM rod antenna. |

CARE AND MAINTENANCE

The following suggestions will help you care for your CD/MP3 player so that you can enjoy it for years.

1. Do not drop it into water or splash too much water onto it.
2. Keep the player dry. If it gets wet, wipe it dry immediately. Liquids might contain minerals that can corrode the electronic circuits.
3. Use and store the player only in normal temperature environments. Temperature extremes can shorten the life of electronic devices, damage batteries, and distort or melt plastic parts.
4. Keep the player away from dust and dirt, which can cause premature wear of parts.
5. Handle the player gently and carefully. Dropping it can damage circuit boards and cases and can cause malfunction.
6. Use only fresh batteries of the required size and recommended type. Old batteries can leak chemicals that damage the player's electronic parts.
7. Wipe the player with a damp cloth occasionally to keep it looking new. Do not use harsh chemicals, cleaning solvents, or strong detergents to clean the player.

Modifying or tampering with the player's internal components can cause a malfunction and will invalidate its warranty.

CD/MP3 DISC CARE TIPS

Even though it is very durable, you should handle it with care.

- Keep the disc inside the player or in its protective case or sleeve when you are not playing it.
- Handle it by its edges to avoid fingerprints that can prevent the player's laser beam from accurately reading it.
- Do not write on either side of it, particularly the non-label side. (Signals are read from the non-label side.)
- Keep it dry. A water drop can act as a lens and affect the laser beams focus.
- Never use chemicals such as record cleaning sprays, anti-static sprays or fluids, benzene or thinner to clean it. These chemicals will permanently damage the plastic surface of the disc.

SPECIFICATIONS

| | |
|-----------------------------|--------------------------------------|
| Frequency Response (+/-4dB) | 20-20,000 Hz |
| Sampling Frequency | 44.1 kHz |
| Oversampling | 8 times |
| Wavelength | 780 nm |
| Radio Frequency – | FM 87.3-108.1 MHz (0.1 MHz per step) |
| Power Requirement | DC 7.5 V |
| | Four AA Alkaline Batteries |
| | DC 7.5V, 800mA AC/DC Adapter |
| Power consumption | 10W |
| Dimensions (HWD) | 38 x 145 x 169.4mm |
| Weight (without batteries) | 0.52kg |

SERVICE INFORMATION

You may contact etón Service Department for additional information or assistance by calling 1(800) 872-2228 in the U.S.A. or 1(800) 637-1648 in Canada. Monday through Friday, 8:30 a.m. - 4:00 p.m. (PST) except on holidays.

Should you want to return your unit for service, pack the receiver carefully using the original carton or other suitable container. Write your return address clearly on the shipping carton and on an enclosed cover letter describing the service required, symptoms or problems. Also, include your daytime telephone number and a copy of your proof of purchase. The receiver will be serviced under the terms of the etón Limited Warranty and returned to you. Call for a Return Authorization prior to shipping your unit.

ONE YEAR LIMITED WARRANTY

etón warrants to the original purchaser this product shall be free from defects in material or workmanship for one year from the date of original purchase.

During the warranty period etón or an authorized etón service facility will provide, free of charge, both parts and labor necessary to correct defects in material and workmanship. At their option, etón may replace a defective unit.

- (1) Complete and send in the Warranty Registration Card within ten (10) days of purchase.
- (2) Call GRUNDIG/etón or the nearest authorized service facility, as soon as possible after discovery of a possible defect. Have ready:
 - (a) the model and serial number.
 - (b) the identity of the seller and the approximate date of purchase.
 - (c) a detailed description of the problem, including details on the electrical connection to associated equipment and the list of such equipment.

(3) GRUNDIG/etón will issue a Return Authorization number and the address to which the unit can be shipped. Ship the unit in its original container or equivalent, fully insured and shipping charges prepaid.

Correct maintenance, repair, and use are important to obtain proper performance from this product. Therefore carefully read the Instruction Manual. This warranty does not apply to any defect that etón determines is due to:

- (1) Improper maintenance or repair, including the installation of parts or accessories that do not conform to the quality and specification of the original parts.
- (2) Misuse, abuse, neglect or improper installation.
- (3) Accidental or intentional damage.
- (4) Battery leakage.

All implied warranties, if any, including warranties of merchantability and fitness for a particular purpose, terminate one (1) year from the date of the original purchase.

The foregoing constitutes etón's entire obligation with respect to this product, and the original purchaser shall have no other remedy and no claim for incidental or consequential damages, losses, or expenses. Some states do not allow limitations on how long an implied warranty lasts or do not allow the exclusions or limitation of incidental or consequential damages, so the above limitation and exclusion may not apply to you.

This warranty give you specific legal rights and you may also have other rights which vary from state to state.

For service information contact:

GRUNDIG/etón

3520 Haven Avenue, Unit L
Redwood City, CA 94063-4605 U.S.A.
1 (650) 361-1611

Customer Service Center Phone:

1 (800) 872-2228 (U.S.A.) or 1 (800) 637-1648 (Canada)

Telefax:

1 (650) 361-1724

World Wide Web Site:

www.grundigradio.com



UTILISATION DE VOTRE

etón[®]

ego 4000

Radio-réveil CD/MP3/FM

Brevet en instance

VOUS AVEZ BESOIN D'AIDE? Nous avons essayé de rendre ce mode d'emploi facile à utiliser. Veuillez le lire soigneusement.

Si vous avez besoin d'aide, appelez-nous gratuitement:

du lundi au vendredi, de 8 h 30 à 16 h, heure normale du Pacifique

1-800-872-2228 aux États-Unis

1-800-637-1648 au Canada

1-650-361-1611 partout ailleurs

Cher client,
 Nous vous remercions d'avoir acheté ce produit. Afin d'assurer un fonctionnement optimal et une sécurité maximal de l'appareil, veuillez lire ce mode d'emploi et le conserver comme référence.

| | Page n° |
|---|---------|
| REMARQUES IMPORTANTES | 29 |
| CARATÉRISTIQUES | 30 |
| INTRODUCTION | 29 |
| Emplacement des commandes | 29 |
| Écran à cristaux liquides | 34 |
| INSTALLATION ET BRANCHEMENTS | 35 |
| Les haut-parleurs | 35 |
| Branchement du casque d'écoute | 35 |
| ALIMENTATION DE L'APPAREIL | 36 |
| Utilisation des piles | 36 |
| Utilisation de l'adaptateur C.A./C.C. | 36 |
| GUIDE D'UTILISATION | 37 |
| CD/MP3 | 37 |
| Chargement d'un disque CD ou MP3 | 37 |
| Lancement de la lecture | 37 |
| Le système antichoc | 37 |
| Réglage du volume | 38 |
| La fonction EQ | 38 |
| Pause | 38 |
| Arrêt | 38 |
| Avance rapide et recul rapide | 38 |
| Sélection d'un morceau à jouer | 39 |
| Lecture répétée | 39 |
| Lecture des débuts de morceaux | 40 |
| Lecture aléatoire | 40 |
| Lecture programmée | 40 |
| SYNTONISATEUR | 41 |
| Écoute de la radio | 41 |
| Mise en mémoire des stations de radio | 42 |
| HORLOGE | 42 |
| Réglage de l'heure locale | 42 |
| Heure d'un autre fuseau horaire | 43 |
| Alarme | 43 |
| AUTRES | 45 |
| Éclairage | 45 |
| Délai d'arrêt | 45 |
| E-Bass | 45 |
| GUIDE DE DÉPANNAGE | 45 |
| ENTRETIEN | 46 |
| Conseils d'entretien des disques CD/MP3 | 46 |
| SPÉCIFICATIONS | 47 |

Pour un fonctionnement optimal et une sécurité maximale, veuillez lire entièrement ce mode d'emploi avant l'utilisation et conservez-le comme guide de référence.

REMARQUES IMPORTANTES

1. Veuillez lire toutes les précautions et le mode d'emploi de l'appareil avant de l'utiliser.
2. Veuillez conserver les précautions et le mode d'emploi comme référence.
3. Respectez toutes les mises en garde sur l'appareil et dans le mode d'emploi.
4. Respectez toutes les instructions sur l'utilisation.
5. N'utilisez pas cet appareil en présence d'eau.
6. Nettoyez-le uniquement avec un chiffon sec.
7. Ne bouchez aucun des orifices d'aération. Installez-le conformément aux instructions du fabricant.
8. Ne l'installez pas à proximité de sources de chaleur, comme des radiateurs, des cuisinières ou d'autres appareils (y compris les amplificateurs) produisant de la chaleur.
9. Ne tentez jamais de déjouer la protection offerte par la fiche polarisée ou à mise à la terre. Une fiche polarisée possède deux branches dont l'une est plus large que l'autre. Une fiche à mise à la terre possède deux branches semblables et une troisième branche de mise à la terre. La branche large ou la troisième branche est prévue pour votre sécurité. Si la fiche fournie ne peut pas être branchée dans votre prise, consultez un électricien pour faire remplacer la prise défectueuse.
10. Protégez le cordon électrique pour éviter qu'il soit piétiné ou pincé, particulièrement au niveau des fiches, des prises électriques ou du point de sortie de l'appareil.
11. Débranchez cet appareil pendant les orages ou lorsqu'il n'est pas utilisé pendant des périodes prolongées.
12. Confiez toutes les réparations à un personnel qualifié. Des réparations sont nécessaires lorsque l'appareil, le cordon électrique ou la fiche électrique sont abîmés, lorsqu'un liquide a été renversé ou des objets sont tombés sur l'appareil, lorsque l'appareil a été exposé à la pluie ou à l'humidité, lorsque l'appareil ne fonctionne pas bien ou lorsqu'il a été laissé tomber.
13. Il ne faut pas exposer cet appareil à des éclaboussures ou des gouttes d'eau et il ne faut jamais poser d'objets remplis d'eau, comme des vases, sur cet appareil.

Ce lecteur pliant de voyage pour disques compacts et fichiers MP3 avec syntonisateur et réveil possède les fonctions principales suivantes :

LECTEUR DE DISQUES COMPACTS ET FICHIERS MP3

Super système antichoc – Cette fonction met rapidement en mémoire 40 secondes de données CD (disque compact audio numérique) ou 120 secondes de données MP3 pour une lecture ininterrompue même lorsque le lecteur est exposé à des chocs ou des vibrations.

Lecture programmable – Cela vous permet de programmer et d'écouter jusqu'à 100 morceaux de musique dans l'ordre désiré.

Lecture répétée – Cela vous permet de répéter automatiquement la lecture d'un morceau, d'un répertoire (MP3) ou d'un disque entier.

Balayage des débuts de morceaux – Elle vous aide à trouver un morceau désiré en jouant automatiquement les dix premières secondes de chaque morceau.

Lecture aléatoire – Cela vous permet d'écouter les morceaux d'un CD ou d'un répertoire MP3 de manière aléatoire.

EQ – Cela vous permet de choisir le mode d'écoute BASS, POP, CLASSIC, JAZZ, ROCK ou normal.

Recherche par saut – Cela vous permet de trouver et de jouer rapidement n'importe quel morceau d'un CD ou d'un disque compact en format MP3.

Recherche audible – Cela vous permet de trouver une section particulière d'un morceau en accélérant la lecture.

Pause et marque – Cela vous permet d'arrêter provisoirement la lecture d'un morceau ou de marquer un morceau pour une lecture ultérieure.

Arrêt automatique – Cette fonction éteint automatiquement le lecteur pour économiser les piles de réserve.

Compatible avec les disques de 3 pouces – Cela vous permet d'écouter des CD ou des disques compacts en format MP3.

SYNTONISATEUR

Radio FM avec mémoire pour 12 stations – Cela vous permet de mettre en mémoire jusqu'à 12 stations de radio FM, pour pouvoir les sélectionner rapidement.

Syntonisation automatique – Elle recherche, en augmentant ou diminuant la fréquence, la prochaine station de radio à signal puissant dans la bande choisie pour vous permet de trouver rapidement de nouvelles stations.

Mémoire de la dernière station – Lorsque vous allumez le syntonisateur, il commence par la dernière station écoutée.

Commutateur Stéréo/Mono – Cela vous permet de choisir le mode stéréo ou mono pour l'écoute de la bande FM.

HORLOGE

2 réglages d'heure – Cela vous permet de régler deux heures différentes : l'heure locale et l'heure d'un autre fuseau horaire.

2 réglages d'alarme – Cela vous permet de régler deux alarmes différentes : Alarme 1 et Alarme 2. Elles peuvent toutes les deux être réglées pour déclencher une sonnerie, la radio ou un morceau de musique sur un CD ou un disque MP3.

Sommeil – Cela vous permet de somnoler pendant cinq minutes.

Réglage du délai d'arrêt de 15/30/60 minutes – Cela vous donne trois délais d'arrêt pour l'appareil.

FONCTIONS ET CARACTÉRISTIQUES GÉNÉRALES

E-Bass – Elle crée des graves plus riches.

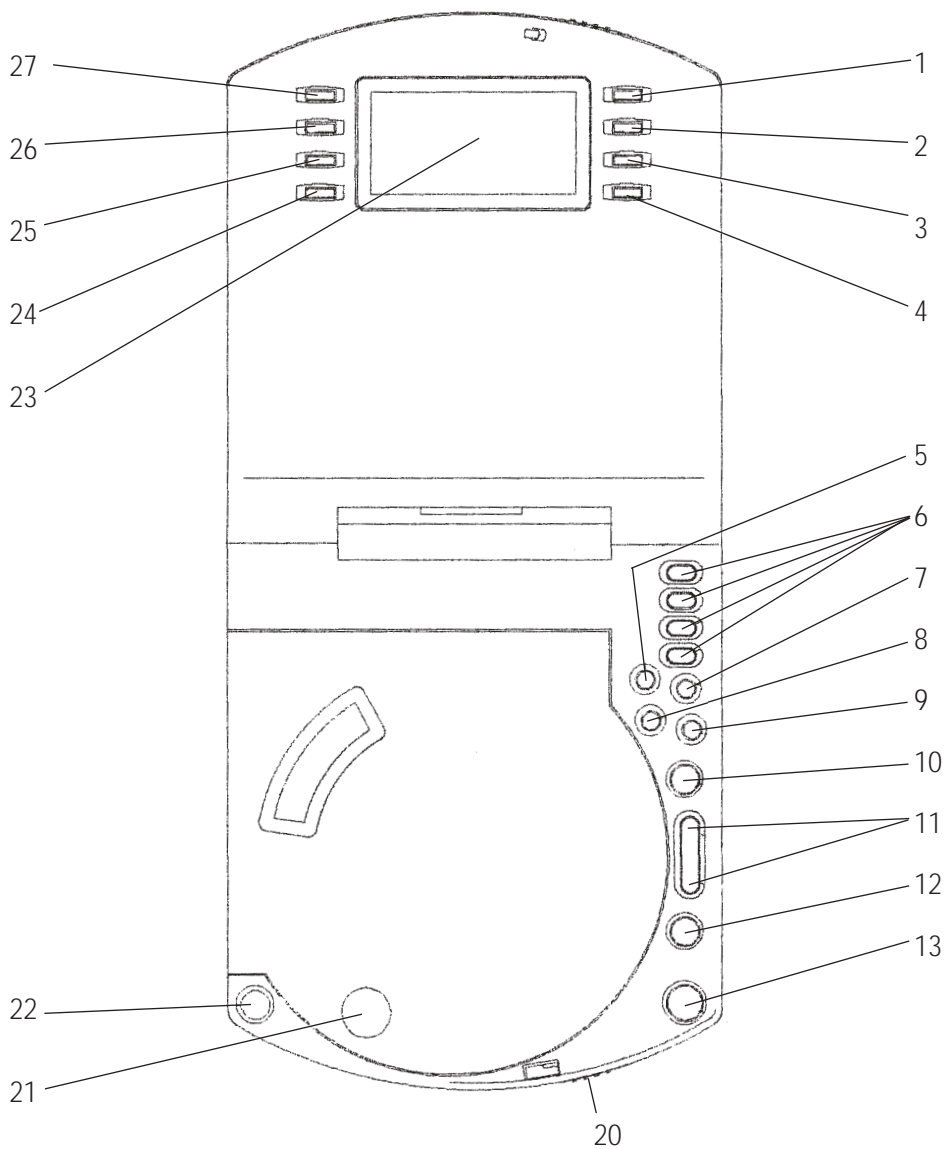
Grand écran à cristaux liquides – Il vous permet de vérifier de manière pratique l'état du système et l'horloge.

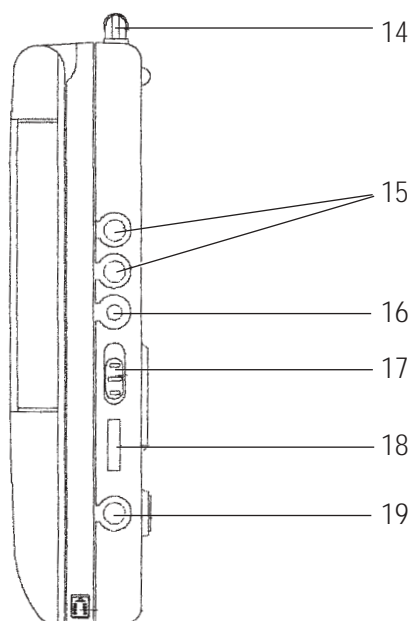
Éclairage – Cela vous permet de voir l'horloge dans l'obscurité.

Haut-parleurs stéréo amovibles – Ils vous donnent des effets sonores de grande qualité.

Deux sources d'alimentation – Cela vous permet d'alimenter l'appareil avec quatre piles AA ordinaires ou avec un adaptateur C.A./C.C. de 7,5 V 800 mA.

Emplacement des commandes

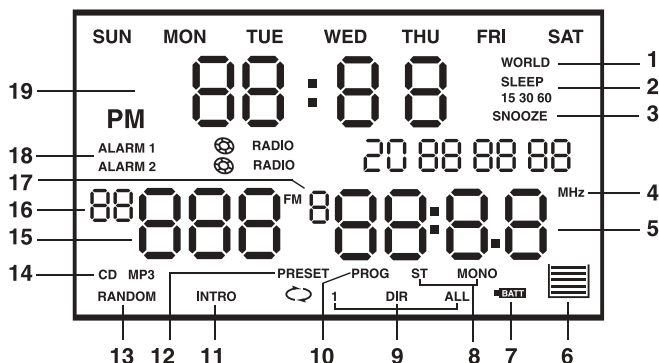




1. **World/Local** – Cette touche sert à régler ou à voir l'heure d'un autre fuseau horaire.
2. **Set** – Cette touche sert à régler l'heure locale, l'heure d'un autre fuseau horaire ou l'heure de l'alarme.
- 3-4. **Up/Down** – Appuyez sur ces touches pour sélectionner le mode de l'heure, de la date ou de l'alarme pendant le réglage de l'heure ou de l'alarme.
5. **SAS/+10/St/Mono** – Pendant la lecture d'un CD, cette touche sert à allumer ou à éteindre le système antichoc. Pendant la lecture d'un fichier MP3, elle permet de sauter dix morceaux à la fois. Pendant l'écoute d'une station de radio FM stéréo, elle permet de changer l'écoute stéréo en mono ou inversement.
6. **Preset 1/2/3/4** – Appuyez sur une de ces touches pour programmer en mémoire une station de radio ou pour écouter une station de radio déjà programmée.
7. **EQ/Prog** – Pendant la lecture d'un disque compact ou d'un fichier MP3, cette touche sert à choisir un mode d'égalisateur : Bass, Pop, Classic, Jazz, Rock ou normal. Autrement, cette touche sert à programmer l'ordre de lecture de morceaux sur un disque compact ou dans un répertoire de fichiers MP3. En mode syntonisateur, cette touche sert à trouver automatiquement la station de radio suivante de fréquence supérieure.

8. **Tuner** – Cette touche sert à choisir le mode syntonisateur ou une bande de fréquences FM différente : FM-1, FM-2 ou FM-3.
9. **Mode/Dir** – Pendant la lecture d'un CD, cette touche sert à sélectionner la lecture répétée d'un morceau ou de tous les morceaux. Pendant la lecture d'un fichier MP3, cette touche sert à sélectionner la lecture répétée d'un morceau, d'un répertoire ou de tous les morceaux, lorsqu'elle est enfoncée brièvement, et, lorsqu'elle est enfoncée pendant trois secondes, elle sert à sélectionner un répertoire. Autrement, elle permet de sélectionner la lecture des débuts de morceaux ou la lecture aléatoire. En mode syntonisateur, elle sert à trouver automatiquement la station de radio suivante de fréquence inférieure.
10. **Play/Pause (▶/⏸)** – Elle sert à lancer ou à interrompre la lecture d'un CD ou d'un fichier MP3.
11. **Scan Up/Down (▶▶ / ◀◀)** – Ces touches servent à trouver un morceau de musique, un répertoire ou une station de radio.
12. **Stop (■)** – Cette touche sert à arrêter la lecture d'un CD ou d'un fichier MP3 ou à éteindre l'appareil.
13. **Snooze/Light** – Lorsque le minuteur est enclenché, cette touche permet de suspendre la lecture pendant cinq secondes. Dans tous les autres modes, elle sert à éclairer l'écran à cristaux liquides pendant quelques secondes.
14. **Antenne FM** – Pour une meilleure réception des signaux FM, étirez l'antenne à sa longueur maximale.
15. **Prises des haut-parleurs** – Elles permettent de brancher les fils des haut-parleurs.
16. **Prise C.C.** – Elle permet de brancher un adaptateur C.A./C.C.
17. **Commutateur Bass Boost** – Il permet d'allumer ou d'éteindre le système d'amplification des basses.
18. **Volume** – Cette molette permet de régler le volume.
19. **Prise pour casque d'écoute** – Elle permet de brancher un casque d'écoute.
20. **Dépliage** – Cette commande coulisse pour permettre le dépliage de l'appareil.
21. **Fermeture** – Appuyez ici pour fermer le couvercle du plateau du disque compact.
22. **Ouverture** – Enfoncez pour ouvrir le couvercle du plateau pour y placer un disque compact.
23. **Écran à cristaux liquides** – Il affiche l'heure et le statut de l'appareil.
24. **Alarm On/Off** – Cette touche permet d'allumer ou d'éteindre une ou toutes les alarmes programmées.
25. **Alarm 1/Alarm2** – Cette touche sert à programmer ou à voir l'alarme 1 ou l'alarme 2.
26. **Alarm Mode** – Cette touche sert à sélectionner le mode d'alarme.
27. **Sleep** – Cette touche permet de sélectionner la durée du délai d'arrêt : 15 minutes, 30 minutes ou 60 minutes.

ÉCRAN À CRISTAUX LIQUIDES



1. **Témoin WORLD** – Il s’allume pendant le réglage ou l’affichage de l’heure d’un autre fuseau horaire.
2. **Témoin SLEEP** – Lorsque l’un des délais d’arrêt est sélectionné, le témoin **SLEEP** et le témoin de durée du délai correspondant s’allument.
3. **Témoin SNOOZE** – Il s’allume lorsque l’appareil est en mode de rappel d’alarme.
4. **Témoin de l’unité des fréquences FM** – Il s’allume en mode syntonisateur.
5. Affichage de la durée de lecture d’un CD ou d’un fichier MP3 ou de la fréquence de la station.
6. **Témoin de la fonction antichoc** – Il s’allume lorsque le système antichoc est allumé.
7. **Témoin des piles** – Il s’allume lorsque la tension des piles est inférieure à 4,2 V.
8. **Témoins ST/MONO** – Ils s’allument alternativement pour indiquer la sélection du mode d’écoute stéréo ou mono.
9. **Témoins de la lecture répétée** – Le témoin correspondant s’allume pour indiquer la sélection de la lecture répétée d’un morceau de musique, d’un répertoire ou de tous les morceaux.
10. **Témoin PROG** – Il s’allume pendant la programmation de l’ordre de lecture de morceaux de musique sur CD ou en format MP3 ou pendant la lecture des morceaux programmés.
11. **Témoin INTRO** – Il s’allume pour indiquer la sélection du mode de lecture des débuts de morceaux.
12. **Témoin PRESET** – Il s’allume pour indiquer la sélection d’une station de radio programmée en mémoire.
13. **Témoin RANDOM** – Il s’allume pour indiquer la sélection du mode de lecture aléatoire.
14. **Témoins CD/MP3** – Ils s’allument respectivement pour indiquer le type de disque compact présent dans l’appareil.
15. **Témoin du numéro du morceau sur le disque compact.**
16. **Témoin du répertoire MP3.**
17. **Témoin de la bande FM.**
18. **Témoin du mode d’alarme** – Le témoin correspondant s’allume pour indiquer la sélection de la sonnerie, de la lecture d’un CD/fichier MP3 ou de la radio comme alarme.
19. **Affichages de l’heure et de la date** – Ils affichent la date (année, mois, jour) et l’heure

(Pour plus de renseignements sur les témoins et affichages mentionnés ci-dessus, veuillez consulter les instructions ci-dessous.)

LES HAUT-PARLEURS

Les deux haut-parleurs fournis sont amovibles. Vous pouvez les séparer de l'appareil et les placer là où vous le désirez en utilisant les câbles de branchement fournis.

1. Procédez comme suit pour installer les deux haut-parleurs fournis :
Séparez les haut-parleurs de l'appareil en les tirant horizontalement.
2. Branchez une extrémité d'un des câbles fournis à la prise du haut-parleur et l'autre extrémité à la prise **SPEAKER L** (gauche) or **R** (droit) sur le côté droit de l'appareil.
3. Placez le haut-parleur à l'endroit désiré dans les limites de la longueur du câble de branchement.

BRANCHEMENT DU CASQUE D'ÉCOUTE

Pour une écoute discrète, branchez un casque d'écoute équipé d'une fiche de 3,5 mm dans la prise  sur le côté droit de l'appareil.

Protection de votre acuité auditive

Pour protéger votre acuité auditive, prenez les précautions suivantes lors de l'utilisation d'un casque d'écoute :

- Réglez le volume au niveau le plus bas avant de placer le casque sur vos oreilles. Une fois le casque installé, réglez le volume à un niveau confortable.
- N'écoutez pas à des niveaux de volume extrêmement élevés. Une écoute prolongée à des volumes élevés peut entraîner des pertes auditives permanentes.
- Une fois que vous avez réglé le volume, ne l'augmentez plus. Avec le temps, vos oreilles s'adaptent au niveau de volume et, par conséquent, un niveau de volume qui n'est pas gênant peut tout de même entraîner des pertes auditives permanentes.

Sécurité pendant l'écoute

Ne portez pas de casque d'écoute lorsque vous conduisez un véhicule ou lorsque vous roulez à bicyclette. Vous pourriez poser un danger pour la circulation routière et cela peut être illégal dans certaines régions.

Bien que certains casques vous permettent d'entendre certains des sons ambiants lors de l'écoute à des niveaux normaux de volume, ils continuent de représenter un danger pour la circulation routière.

Vous pouvez alimenter l'appareil avec une des ces deux sources d'électricité :

- Quatre piles alcalines AA
- Une prise de courant C.A. ordinaire en utilisant un adaptateur C.A./C.C. de 7,5 V et 800 mA

Remarque : Les piles sont automatiquement débranchées lorsqu'un adaptateur C.A./C.C. est branché à l'appareil.

UTILISATION DES PILES

Mise en garde : Utilisez toujours des piles neuves de la taille appropriée.

N'utilisez pas une combinaison de piles usées et neuves, de différents types de piles ou de piles rechargeables ou de piles de différentes capacités.

Procédez comme suit pour installer les piles :

1. Enfoncez le couvercle du compartiment des piles, faites le coulisser dans la direction de la flèche et soulevez-le pour l'ouvrir.
2. Placez quatre piles AA dans le compartiment des piles en respectant les symboles de polarité (+ et -) marqués à l'intérieur.
3. Refermez le couvercle.

Mises en garde : 1) Lorsque le témoin «  » clignote à l'écran, que le son est altéré ou que le volume faiblit, remplacez les piles.

Remarque : Lorsque les piles sont retirées, l'heure de l'horloge est préservée pendant trois minutes environ. Veuillez remplacer rapidement les piles pour empêcher l'effacement du réglage de l'horloge.

2. Si vous ne comptez pas utiliser l'appareil avec des piles pendant un mois ou plus ou si vous ne comptez utiliser que l'adaptateur C.A./C.C., retirez les piles. Les piles peuvent fuir et libérer des produits chimiques qui pourraient endommager les éléments électroniques.
3. Jetez les piles usées de manière rapide et appropriée. Il ne faut ni les faire brûler ni les enterrer.

UTILISATION DE L'ADAPTATEUR C.A./C.C.

Vous pouvez alimenter l'appareil avec une prise C.A. ordinaire en utilisant un adaptateur C.A./C.C. de 7,5 V et 800 mA.

Remarque : Une fois qu'un adaptateur C.A./C.C. est branché à l'appareil, les piles installées dans l'appareil sont automatiquement débranchées.

Procédez comme suit pour brancher un adaptateur C.A./C.C. au lecteur de disque compact.

1. Insérez la fiche de l'adaptateur C.A./C.C. dans la prise **DC IN 7.5 V** de l'appareil.
2. Branchez l'autre extrémité de l'adaptateur à une prise de courant C.A. ordinaire.

Mise en garde : Lorsque vous avez fini d'utiliser l'adaptateur C.A./C.C., débranchez-le d'abord de la prise de courant C.A. puis de l'appareil.

SECTION CD/MP3

CHARGEMENT D'UN DISQUE CD OU MP3

1. Dépliez l'appareil en appuyant sur la commande coulissante d'ouverture vers l'avant de l'appareil.
2. Appuyez sur la touche **Open** pour soulever le couvercle du plateau de chargement du disque compact.
3. Tenez le disque par ses bords et placez-le soigneusement sur le plateau de chargement du disque compact avec le côté de l'étiquette vers le haut.
4. Fermez le couvercle en appuyant sur l'emplacement Close du couvercle.

LANCEMENT DE LA LECTURE D'UN DISQUE COMPACT CD OU MP3

Appuyez sur la touche **▶/||**. L'appareil commence à lire les informations contenues sur le disque. L'écran à cristaux liquides affichent « rEAd ».

- **S'il s'agit d'un disque CD**, l'appareil commence la lecture du disque quelques secondes plus tard. L'écran à cristaux liquides affiche brièvement le nombre total de morceaux et la durée totale du disque avant d'afficher le numéro du premier morceau et la durée de lecture. Le témoin **CD** et le témoin de la fonction antichoc s'affichent également à l'écran.
- **S'il s'agit d'un disque en format MP3**, l'appareil prendra quelques secondes supplémentaires pour lire les informations contenues sur le disque. Lorsque la lecture des informations est terminée, l'écran à cristaux liquides affiche brièvement le nombre total de répertoires et de morceaux, puis l'appareil commence à jouer le premier morceau du premier répertoire. L'écran à cristaux liquides affiche « MP3 » et le témoin de la fonction antichoc ainsi que la durée de lecture.

Remarque : Lorsque vous enfoncez une des touches de commande, l'écran à cristaux liquides s'éclaire pendant quatre secondes environ.



LE SYSTÈME ANTICHOC

Le lecteur contient des circuits spéciaux servant à mettre en mémoire une plage de musique puis à la jouer à partir de la mémoire. Pour le format CD, la plage est de quarante secondes tandis que, pour le format MP3, la plage est de cent vingt secondes.

Le système antichoc s'allume automatiquement lorsque vous allumez le lecteur en appuyant sur la touche **▶/||**. Le symbole «  » de la fonction antichoc s'affiche à l'écran à cristaux liquides.

Si vous écoutez un disque de format CD, vous pouvez appuyer sur la touche **SAS/+10/St/Mono** pour éteindre le système antichoc. Mais pour un disque en format MP3, la fonction antichoc ne peut pas être éteinte. Comme le lecteur sauvegarde sans cesse les cent vingt prochaines secondes de musique, lorsqu'il la joue à partir de la mémoire, le disque de format MP3 ne tourne pas. C'est uniquement lorsque le lecteur lit la musique du disque de format MP3 qu'il fait tourner le disque.

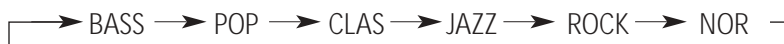
RÉGLAGE DU VOLUME

Tournez la molette **Volume** pour régler le volume à un niveau d'écoute confortable.

LA FONCTION EQ

Lorsque vous écoutez un disque CD ou MP3, vous pouvez appuyer sur la touche **EQ/Prog.** pour choisir l'option d'égalisateur désirée : BASS, POP, CLASSIC, JAZZ ou ROCK. Pour éteindre la fonction EQ, choisissez « NOR » (normal).

Appuyez plusieurs fois sur la touche EQ pour choisir l'option désirée d'égalisateur. Le témoin respectif d'option de l'égalisateur s'allume sur l'écran à cristaux liquides selon le cycle suivant :



Remarque : Seule la lecture d'un disque CD ou MP3 permet l'utilisation de la fonction EQ.

PAUSE

Pour interrompre provisoirement la lecture, appuyez sur la touche **▶/||**. La durée de lecture clignote à l'écran à cristaux liquides.

Pour reprendre la lecture, appuyez de nouveau sur la touche **▶/||**.

ARRÊT

Le lecteur s'arrête automatiquement à la fin du dernier morceau. Pour l'arrêter avant cela, appuyez sur la touche **■**. Après un délai de trente secondes, le lecteur s'éteint automatiquement. Lorsqu'il arrête de jouer un disque, s'il s'agit d'un CD, l'écran affiche le nombre total de morceaux et la durée totale du disque et, s'il s'agit d'un disque en format MP3, l'écran affiche le nombre total de répertoires et de morceaux.

Pour éteindre manuellement l'appareil, appuyez de nouveau sur la touche **■**.

AVANCE RAPIDE ET REcul RAPIDE

Pour chercher rapidement un morceau pendant la lecture, enfoncez la touche **▶▶|** ou **|◀◀**. L'écran indique l'avance ou le recul rapide de la durée de lecture. Lorsque vous avez atteint le point désiré, relâchez la touche **▶▶|** ou **|◀◀** pour reprendre la lecture normale.

Remarque : 1) Si le lecteur lit un disque CD, vous pouvez entendre la musique jouée à grande vitesse et à faible volume.

Lorsque la recherche vous conduit à la fin du dernier morceau ou au début du premier morceau, elle s'arrête automatiquement.

SÉLECTION D'UN MORCEAU À JOUER

CD

Appuyez plusieurs fois sur la touche ►►I ou I◄◄ jusqu'à ce que le numéro du morceau désiré apparaisse à l'écran.

MP3

Méthode 1 : Appuyez plusieurs fois sur la touche ►►I ou I◄◄ jusqu'au morceau désiré.

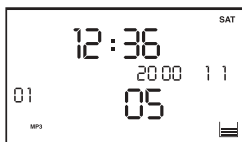
Méthode 2 : Pendant la lecture, appuyez sur la touche **SAS/+10/St/Mono** pour sauter en une seule fois les dix morceaux suivants.

Méthode 3 : Avec la lecture arrêtée mais l'appareil allumé, vous pouvez...

1. Appuyez sur la touche ►►I ou I◄◄ pour trouver le répertoire désiré.
2. Appuyez sur la touche ►/II pour commencer la lecture à partir de ce répertoire.
3. Appuyez plusieurs fois sur la touche ►►I ou I◄◄ pour trouver le morceau désiré.

Pendant la lecture, procédez comme suit :

1. Enfoncez la touche **Mode/Dir** pendant trois secondes environ. L'écran affiche...



2. Appuyez sur la touche ►►I ou I◄◄ pour trouver le répertoire désiré.
3. Lorsque le répertoire désiré est affiché, appuyez sur la touche ►/II pour commencer la lecture des morceaux dans ce répertoire.
4. Appuyez plusieurs fois sur la touche ►►I ou I◄◄ pour trouver le morceau désiré.

LECTURE RÉPÉTÉE

Répétition d'un seul morceau

Pendant la lecture, appuyez plusieurs fois sur la touche **Mode/Dir** jusqu'à ce que le témoin « ↻ 1 » apparaisse à l'écran et le morceau présent sera joué maintes et maintes fois.

Répétition d'un seul répertoire

Pendant la lecture d'un disque MP3, vous pouvez configurer le lecteur pour qu'il joue à maintes reprises un répertoire particulier en appuyant plusieurs fois sur la touche **Mode/Dir** jusqu'à ce que le témoin « ↻ DIR » s'affiche sans clignoter à l'écran.

Répétition de tous les morceaux

Pendant la lecture, appuyez plusieurs fois sur la touche **Mode/Dir** jusqu'à ce que le témoin « ↻ » apparaisse à l'écran à cristaux liquides. L'appareil jouera à maintes reprises les morceaux.

Annulation de la lecture répétée

Appuyez plusieurs fois sur la touche **Mode/Dir** jusqu'à ce que chacun des témoins mentionnés ci-dessus disparaisse.

LECTURE DES DÉBUTS DE MORCEAUX

Vous pouvez forcer le lecteur à jouer uniquement les dix premières secondes de chaque morceau pour vous aider à trouver le morceau que vous voulez écouter.

Procédez comme suit pour lancer la lecture des débuts des morceaux :

- 1) Arrêtez la lecture, le cas échéant, en appuyant sur la touche ■.
- 2) Appuyez plusieurs fois sur la touche **Mode/Dir** jusqu'à que le témoin « INTRO » apparaisse à l'écran.
- 3) Appuyez sur la touche ►/||. La lecture des débuts des morceaux commence à partir du premier morceau.

Lorsque le morceau désiré est trouvé, appuyez de nouveau sur la touche ►/||. La lecture des débuts des morceaux est annulée et la lecture normale du morceau reprend.

LECTURE ALÉATOIRE

Vous pouvez forcer le lecteur à jouer des morceaux sans ordre particulier en procédant comme suit :

- 1) Arrêtez la lecture, le cas échéant, en appuyant sur la touche ■.
- 2) Appuyez plusieurs fois sur la touche **Mode/Dir** jusqu'à que le témoin « RANDOM » apparaisse à l'écran.
- 3) Appuyez sur la touche ►/||. La lecture aléatoire des morceaux commence immédiatement.

Pour annuler la lecture aléatoire, appuyez sur la touche ■.

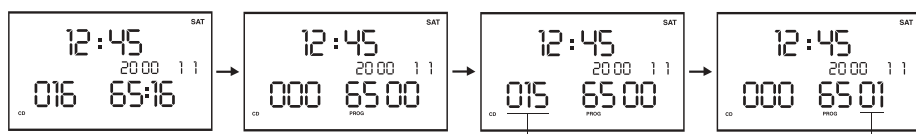
LECTURE PROGRAMMÉE

Vous pouvez programmer jusqu'à cent morceaux dans l'ordre que vous voulez, et un même morceau peut être programmé plus d'une fois.

Pour programmer l'ordre de lecture d'un disque CD ou MP3, vous devez d'abord arrêter la lecture en appuyant sur la touche ■, puis procédez comme suit pour achever la programmation.

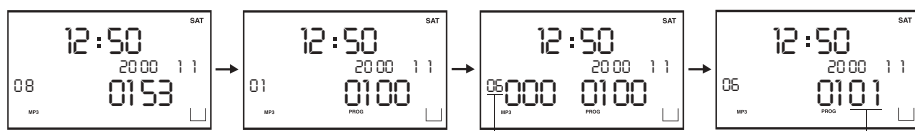
CD

1. Appuyez sur la touche **EQ/Prog**. Le témoin « PROG » apparaît à l'écran.
2. Appuyez plusieurs fois sur la touche ►► ou ◀◀ pour trouver le morceau désiré.
3. Appuyez de nouveau sur la touche **EQ/Prog** pour sauvegarder la sélection.



MP3

1. Appuyez sur la touche **EQ/Prog**. Le témoin « PROG » apparaît à l'écran.
2. Appuyez plusieurs fois sur la touche **▶▶** ou **◀◀** pour sélectionner le répertoire désiré.
3. Appuyez de nouveau sur la touche **EQ/Prog** pour sauvegarder la sélection du répertoire.
4. Appuyez de nouveau sur la touche **▶▶** ou **◀◀** pour sélectionner le morceau désiré.
5. Appuyez de nouveau sur la touche **EQ/Prog** pour sauvegarder la sélection du morceau.



Répétez les étapes ci-dessus pour programmer les autres morceaux. Jusqu'à cent morceaux peuvent être programmés.

Pour lancer la lecture des morceaux dans l'ordre programmé, appuyez sur la touche **▶/||**. Pendant la lecture, vous pouvez appuyer sur la touche **▶▶** ou **◀◀** pour sauter un morceau et vous pouvez également sélectionner la lecture répétée d'un des morceaux programmés ou de tous les morceaux programmés en appuyant sur la touche **Mode/Dir**.

Une fois que le dernier morceau programmé a été joué, la lecture s'arrête automatiquement. Pour arrêter manuellement la lecture avant cela, appuyez sur la touche **■**.

Pour effacer la programmation, vous pouvez...

- 1) Appuyez deux fois sur la touche **■** pendant la lecture des morceaux programmés ou...
- 2) Ouvrez le couvercle du plateau en appuyant sur la touche **Open**.

SECTION SYNTONISATEUR ÉCOUTE DE LA RADIO

1. Appuyez sur la touche **Tuner** pour allumer le syntonisateur.
Remarque : Lorsque vous allumez le syntonisateur, vous entendez la dernière station écoutée.
2. Appuyez plusieurs fois sur la touche **Tuner** pour choisir la bande FM désirée, FM-1, FM-2 ou FM-3
3. Utilisez une des méthodes suivantes pour sélectionner la station désirée. L'écran affiche la fréquence sélectionnée.

Syntonisation programmée : Appuyez sur une des quatre touches de mémoire (**Préset 1 à 4**). Lorsqu'une des stations programmées est sélectionnée, l'écran à cristaux liquides affiche « PRESET » et le numéro de la mémoire.

(Exemple : La première mémoire de station FM 97.1 MHz, dans la bande FM-1 est sélectionnée.)



Syntonisation manuelle : Appuyez plusieurs fois sur la touche **▶▶** ou **◀◀** pour sélectionner votre station de radio préférée. Enfoncez sans relâcher la touche **▶▶** ou **◀◀** pour accélérer la recherche de la station.

Syntonisation automatique : Appuyez sur la touche **EQ/Prog** ou **Mode/Dir** pour lancer la recherche ascendante ou descendante respectivement des stations. Une fois qu'une station de radio avec un signal puissant est reçue, la syntonisation automatique s'arrête.

Remarques :

- Pour une meilleure réception des stations FM, étirez l'antenne FM à sa longueur maximale.
- Pendant l'écoute d'une station FM émettant en stéréo, si le signal est suffisamment puissant, le témoin « ST » apparaît à l'écran. Si le signal est faible ou parasité, vous pouvez appuyer sur la touche **SAS/+10/ST/MONO** pour l'écouter en mono. Avec la sélection de mono, la réception sera meilleure et le témoin « MONO » apparaît à l'écran.
- 4. Appuyez sur les touches **Volume (-/+)** pour le régler à un niveau d'écoute confortable.
- 5. Appuyez sur la touche **■** pour éteindre le syntonisateur.

MISE EN MÉMOIRE DES STATIONS DE RADIO

Vous pouvez mettre en mémoire jusqu'à douze stations de radio : quatre dans chacune des bandes FM-1, FM-2 et FM-3.

Procédez comme suit pour mettre en mémoire des stations de radio :

1. Appuyez plusieurs fois sur la touche **Tuner** pour allumer le syntonisateur et sélectionner la bande.
2. Appuyez sur la touche **▶▶** ou **◀◀** ou la touche **EQ/Prog** ou **Mode/Dir** pour sélectionner la station désirée.
3. Enfoncez une des touches de mémoire (**Preset 1 à 4**) pendant trois secondes environ. Le témoin « PRESET » apparaît brièvement à l'écran.

Répétez les étapes 1 à 3 pour mettre en mémoire d'autres stations.

HORLOGE

RÉGLAGE DE L'HEURE LOCALE

Une fois que l'appareil est branchée à une source d'alimentation, l'écran affiche « SAT 12 :00 2000 1 1 ».

Procédez comme suit pour régler l'heure locale et la date :

1. Appuyez sur la touche **Set**. Le segment des heures clignote.
2. Appuyez sur la touche **Up** ou **Down** pour choisir la valeur correcte des heures.



Remarque : Pour indiquer les heures de l'après-midi, le témoin PM s'affiche à l'écran.

3. Appuyez de nouveau sur la touche **Set** pour sauvegarder la valeur des heures. Le segment des minutes commence à clignoter.
4. Appuyez sur la touche **Up** ou **Down** pour choisir la valeur correcte des minutes.
5. Appuyez de nouveau sur la touche **Set** pour sauvegarder la valeur des minutes. Le segment de l'année commence à clignoter.
6. Appuyez sur la touche **Up** ou **Down** pour choisir la valeur correcte de l'année.
7. Appuyez de nouveau sur la touche **Set** pour sauvegarder la valeur de l'année. Le segment du mois commence à clignoter.
8. Appuyez sur la touche **Up** ou **Down** pour choisir la valeur correcte du mois.
9. Appuyez de nouveau sur la touche **Set** pour sauvegarder la valeur du mois. Le segment du jour commence à clignoter.
10. Appuyez sur la touche **Up** ou **Down** pour choisir la valeur correcte du jour.
11. Appuyez de nouveau sur la touche **Set** pour sauvegarder la valeur du jour. Le témoin du jour de la semaine s'allume. Le réglage complet de l'heure et de la date est terminé.

HEURE D'UN AUTRE FUSEAU HORAIRE

- Pour régler l'heure d'un autre fuseau horaire, appuyez d'abord sur la touche **World/Local**, puis utilisez les étapes 1 à 13 de la section « **RÉGLAGE DE L'HEURE LOCALE** » pour régler l'heure d'un autre fuseau horaire.
- Pour voir l'heure d'un autre fuseau horaire, appuyez sur la touche **World/Local**. L'heure d'un autre fuseau horaire sera affichée pendant quatre secondes environ.

ALARME

Réglage de l'heure de l'alarme

Procédez comme suit pour régler l'heure et le mode de l'alarme


1. Appuyez plusieurs fois sur la touche **Alarm 1/Alarm 2** pour sélectionner l'alarme 1 ou l'alarme 2.
2. Appuyez sur la touche **Set**. Le segment des heures clignote.
3. Appuyez sur la touche **Up** ou **Down** pour choisir la valeur correcte des heures.
4. Appuyez de nouveau sur la touche **Set** pour sauvegarder la valeur des heures. Le segment des minutes commence à clignoter.
5. Appuyez sur la touche **Up** ou **Down** pour choisir la valeur correcte des minutes
6. Appuyez de nouveau sur la touche **Set** pour sauvegarder la valeur des minutes. L'heure de l'alarme est réglée.

Lorsque l'alarme est réglée, l'écran affiche le réglage pendant dix secondes environ puis reprend l'affichage de l'heure locale.

Réglage du mode d'alarme

Par défaut, la sonnerie est le mode d'alarme. L'écran affiche « ALARM 1 » ou « ALARM 2 ». Vous pouvez le changer au mode d'alarme CD/MP3 ou radio.

Procédez comme suit pour changer le mode d'alarme.

1. Appuyez sur la touche **Alarm 1/Alarm 2** pour sélectionner l'alarme à changer.
 2. Appuyez sur la touche **Alarm Mode** pour passer au mode de réglage du mode d'alarme.
 3. Appuyez sur la touche **Up** ou **Down** pour choisir le mode d'alarme désiré : sonnerie, CD ou radio.
- Si la sonnerie est sélectionnée, le témoin « ALARM 1 » ou « ALARM 2 » s'allume.
 - Si le mode d'alarme CD/MP3 est sélectionné, le témoin «  » s'allume.
 - Si le mode d'alarme radio est sélectionné, le témoin « RADIO » s'allume.

Lorsque le mode d'alarme désiré est indiqué par l'affichage de son témoin, cessez d'appuyer sur la touche **Up** ou **Down** et attendez quelques secondes. Le mode d'alarme est réglé.





Vérification du réglage de l'alarme

- Appuyez une fois sur la touche **Alarm 1/Alarm 2**. L'écran affiche le réglage de l'alarme 1 (l'heure et le mode de l'alarme) pendant dix secondes environ puis reprend l'affichage de l'heure locale.
- Appuyez deux fois sur la touche **Alarm 1/Alarm 2**. L'écran affiche le réglage de l'alarme 2 pendant dix secondes environ.
- Appuyez plusieurs fois sur la touche **Alarm 1/Alarm 2**. L'écran affiche alternativement les réglages de l'alarme 1 et de l'alarme 2.

Mise en marche des fonctions d'alarme

Important : Veuillez vous assurer que l'écran affiche bien l'heure locale avant de continuer. En général, l'écran prend dix secondes environ pour reprendre l'affichage de l'heure locale après le réglage de l'horloge ou de l'alarme ou la vérification du réglage de l'alarme.

- Appuyez une fois sur la touche **Alarm on/off**. La fonction d'alarme 1 est mise en marche. Si elle est en mode sonnerie, le témoin « ALARM 1 » s'allume. Si elle est en mode CD/MP3, le témoin «  » s'allume. Si elle est en mode radio, le témoin « RADIO » s'allume.
- Appuyez deux fois sur la touche **Alarm on/off**. La fonction d'alarme 2 est mise en marche et le témoin correspondant du mode d'alarme s'allume.
- Appuyez trois fois sur la touche **Alarm on/off**. Les fonctions d'alarme 1 et d'alarme 2 sont mises toutes les deux en marche. L'écran affiche simultanément le mode d'alarme de l'alarme 1 et de l'alarme 2.

À l'heure de l'alarme, en mode sonnerie, la sonnerie retentit. En mode CD/MP3 ou radio, la lecture du disque compact commence ou la radio s'allume automatiquement. Le volume est au niveau d'écoute pré-existant. Cinq minutes plus tard, l'alarme (sonnerie, disque ou radio) s'éteint automatiquement. Si vous voulez l'éteindre manuellement avant cela, appuyez sur la touche **Alarm on/off** (pour la sonnerie) ou sur la touche  (pour l'alarme en mode CD/MP3 ou radio).

Pendant la durée de l'alarme, vous pouvez appuyer sur la touche **Snooze/Light** pour la suspendre pendant cinq minutes. En mode de suspension (sommeil), le témoin « SNOOZE » apparaît à l'écran. Cette fonction peut être utilisée plusieurs fois.

Mise hors service des fonctions d'alarme

Lorsque l'écran affiche l'heure locale, vous pouvez mettre hors service les fonctions d'alarme en appuyant plusieurs fois sur la touche **Alarm on/off**. Lorsque la fonction d'alarme est éteinte, tous les témoins d'alarme (ALARM 1, ALARM 2, et RADIO) disparaissent.

AUTRES ÉCLAIRAGE

À chaque fois que vous appuyez sur la touche **Snooze/Light**, l'écran à cristaux liquide s'éclaire pendant quatre secondes environ.

DÉLAI D'ARRÊT

Il y a trois durées de délai d'arrêt : 15 minutes, 30 minutes et 60 minutes.

Lorsque l'écran affiche l'heure locale, appuyez plusieurs fois sur la touche **Sleep** pour sélectionner la durée de délai d'arrêt désirée. Le témoin correspondant s'affichera à l'écran.

Pour annuler le délai d'arrêt, appuyez plusieurs fois sur la touche **Sleep** jusqu'à ce que le témoin SLEEP disparaisse.

E-BASS

Pour amplifier les basses, faites coulisser le bouton **E-bass** en position « ON ».

Pour annuler la fonction d'amplification des basses, faites coulisser le bouton **E-bass** en position « OFF ».

GUIDE DE DÉPANNAGE

Avec un entretien et une utilisation appropriés, le lecteur devrait vous donner des années de fonctionnement sans soucis. Cependant, s'il ne fonctionne pas correctement, utilisez ces recommandations pour voir si vous pouvez éliminer le problème. Si le problème persiste, apportez l'appareil chez le distributeur local pour qu'il vous assiste.

| PROBLÈME | POINT À VÉRIFIER | SUGGESTION |
|--|--|--|
| Le lecteur ne lit pas le disque CD ou MP3. | <ol style="list-style-type: none"> 1. L'étiquette du disque est du mauvais côté. 2. Disque sale ou défectueux. 3. Piles faibles. 4. L'adaptateur C.A./C.C. n'est pas bien branché. | <ol style="list-style-type: none"> 1. Retournez le disque avec son étiquette vers le haut. 2. Nettoyez ou remplacez le disque CD ou MP3. 3. Remplacez les piles par des neuves. 4. Branchez correctement l'adaptateur. |
| Aucun son ou son intermittent | <ol style="list-style-type: none"> 1. Le haut-parleur ou le casque d'écoute n'est pas bien branché. 2. Le lecteur de disque CD/MP3 est soumis à des vibrations ou des chocs excessifs. | <ol style="list-style-type: none"> 1. Rebranchez correctement les câbles. 2. Placez-le sur une surface stable. |
| Réception parasitée ou déformée du signal radio | <ol style="list-style-type: none"> 1. La fréquence de la station de radio n'est pas bien réglée. 2. L'antenne doit être ajustée. | <ol style="list-style-type: none"> 1. Réglez la fréquence de la station. 2. Ajustez l'antenne FM. |

ENTRETIEN

Les recommandations suivantes vous aideront à prendre soin de votre lecteur de CD/MP3 afin que vous puissiez en profiter pendant de nombreuses années.

1. Ne le faites pas tomber dans l'eau et évitez de l'éclabousser.
2. Veillez à ce que le lecteur reste sec. Essuyez-le immédiatement s'il entre en contact avec un liquide. Les liquides contiennent des minéraux qui peuvent corroder les circuits électroniques.
3. Utilisez et rangez le lecteur à des endroits dont la température ambiante est normale. Les températures extrêmes peuvent raccourcir la durée de vie des appareils électroniques, endommager les piles et déformer ou faire fondre les plastiques.
4. Protégez le lecteur de la poussière et de la saleté qui pourraient provoquer l'usure prématurée des pièces.
5. Manipulez le lecteur avec soin et douceur. S'il tombe, ses circuits imprimés ou son boîtier pourraient être endommagés et provoquer une panne.
6. Utilisez uniquement de piles neuves de la taille correcte et du type recommandé. Les piles usées peuvent fuir et libérer des produits chimiques qui abîmeront les pièces électroniques du lecteur.
7. Essuyez de temps en temps le lecteur avec un chiffon humide pour en préserver l'apparence neuve. N'utilisez pas de produits chimiques ou de solvants de nettoyage abrasifs ni de détergents puissants pour nettoyer le lecteur.

La modification ou l'altération des pièces internes du lecteur pourrait provoquer une panne du lecteur et annuler sa garantie.

CONSEILS D'ENTRETIEN DES DISQUES CD/MP3

Bien qu'un disque compact soit extrêmement durable, il devrait être manipulé avec soin.

- Conservez le disque à l'intérieur du lecteur ou dans son étui protecteur lorsque vous ne l'écoutez pas.
- Tenez-le par ses bords en évitant de laisser des empreintes qui pourraient empêcher le rayon laser du lecteur de lire correctement les informations qu'il contient.
- N'écrivez sur aucun des côtés, en particulier sur le côté sans étiquette. (Les données sont lues sur le côté sans étiquette.)
- Veillez à ce qu'il reste sec. Une goutte d'eau peut agir comme lentille et modifier la convergence du rayon laser.
- N'utilisez jamais de produits chimiques, tels que des solutions en bombe servant à nettoyer les disques en vinyle, des liquides antistatiques ou des liquides, du benzène ou des diluants, pour le nettoyer. Ces produits chimiques endommageront de manière permanente la surface plastique du disque compact.

SPÉCIFICATIONS

| | |
|---------------------------------------|---|
| Distorsion de fréquence (\pm 4 dB) | 20 à 20 000 Hz |
| Taux d'échantillonnage | 44,1 kHz |
| Suréchantillonnage | 8 fois |
| Longueur d'onde | 780 nm |
| Fréquence radio – | FM 87,3 à 108,1 MHz (par incréments de 0,1 MHz) |
| Besoin électrique | Courant continu de 7,5 V Quatre piles alcalines AA |
| Adaptateur | C.A./C.C. de 7,5 V et 800 mA |
| Puissance consommée | 10 W |
| Dimensions | |
| (hauteur, largeur, profondeur) | 38 x 145 x 169,4 mm |
| Poids (sans piles) | 0,52 kg |

Pour plus de renseignements ou d'assistance, vous pouvez contacter le service des réparations d'étón en appelant au 1 (800) 872-2228 aux É.-U. ou au 1 (800) 637-1648 au Canada. Du lundi au vendredi, de 8 h 30 à 16 H (HNP), excepté les jours fériés.

Si vous voulez retourner votre appareil pour le faire réparer, emballez soigneusement le récepteur en utilisant sa boîte d'origine ou une autre boîte appropriée. Inscrivez lisiblement votre adresse de retour sur la boîte d'expédition et sur la lettre ci-jointe décrivant la réparation nécessaire, les symptômes ou les problèmes. Veuillez inclure aussi le numéro de téléphone où l'on peut vous joindre pendant la journée et une copie de votre preuve d'achat. Le récepteur sera réparé selon les modalités de la garantie limitée d'étón et vous sera retourné. Veuillez appeler pour obtenir une autorisation de retour avant d'expédier votre appareil.

GARANTIE LIMITÉE DE UN AN

etón garantit à l'acheteur initial que ce produit sera exempt de tout défaut de matériau ou de main-d'œuvre pendant une année à partir de la date d'achat initial.

Pendant la durée de la garantie, etón ou un centre accrédité de réparation d'étón fournira, gratuitement, les pièces et la main-d'œuvre nécessaires pour corriger les vices de matériau et de main-d'œuvre. En outre, etón peut choisir de remplacer un appareil défectueux.

- (1) Remplissez et envoyez la fiche de garantie dans les dix (10) jours qui suivent l'achat.
- (2) Appelez GRUNDIG/etón ou le centre accrédité de réparation le plus proche, aussitôt que possible après la découverte d'une possibilité de vice. Soyez prêt à donner :
 - (a) le numéro de modèle et le numéro de série,
 - (b) le nom du revendeur et la date approximative d'achat,
 - (c) une description détaillée du problème, y compris des détails sur les branchements électriques aux accessoires et la liste de tels accessoires.

(3) GRUNDIG/etón vous donnera un numéro d'autorisation de retour et l'adresse à laquelle vous pouvez envoyer l'appareil. Envoyez l'appareil dans sa boîte d'origine ou une boîte équivalente, entièrement assuré et frais de port payés à l'avance.

Une utilisation, des réparations et un entretien corrects sont importants pour obtenir un bon fonctionnement de ce produit. Veuillez donc lire soigneusement ce mode d'emploi. Cette garantie ne s'applique pas aux pannes qui, selon l'évaluation d'etón, ont été provoquées par :

- (1) Un entretien ou des réparations incorrectes, y compris l'installation de pièces ou d'accessoires qui ne sont pas conformes à la qualité et aux spécifications des pièces d'origine.
- (2) Une utilisation incorrecte, abusive ou négligente ou à une installation incorrecte.
- (3) Des dégâts accidentels ou intentionnels.
- (4) Une fuite des piles.

Toutes les garanties implicites, le cas échéant, y compris les garanties de valeur marchande et d'aptitude à une utilisation particulière, cessent une (1) année à compter de la date d'achat initial.

Ce qui précède représente l'ensemble des obligations d'etón envers ce produit et l'acheteur initial n'aura aucun autre recours ni réclamation pour des dommages indirects ou consécutifs, des pertes ou des dépenses. Certains états et provinces n'autorisent aucune limitation sur la durée des garanties ou sur les dommages indirects ou consécutifs. La limitation ci-dessus peut donc ne pas s'appliquer à vous.

Cette garantie vous donne des droits juridiques précis et vous pouvez également avoir d'autres droits qui varient d'état en état ou de province en province.

Pour plus de renseignements sur les services, contactez :

GRUNDIG/etón.

3520 Haven Avenue, Unit L
Redwood City, CA 94063-4605 É.-U.
1 (650) 361-1611

Numéro de téléphone du Centre d'assistance à la clientèle:

1 (800) 872-2228 (É.-U.) ou 1 (800) 637-1648 (Canada)

Télécopieur:

1 (650) 361-1724

Site Web:

www.grundigradio.com



eton[®]

3520 Haven Ave., Redwood City, CA 94063
Phone 650-361-1611 • Fax 650-361-1724
Shortwave Hotlines: (US) 1-800-872-2228
(CN) 1-800-637-1648

www.grundigradio.com